

SDE-250

Electrode Drying Oven with Digital Thermostat



The SDE range of drying and storing ovens are large, thermally controlled cabinets designed specifically for welding electrodes. Ideally, a facility should have separate ovens for drying and storing. However with the SDE manual digital thermostat the same oven can be used for both drying and storing. Designed for stationary applications these come with heavy lockable castors to move around then lock in place. Additionally a gas vent safely removes humidity and gases during the heating process.

Heavy insulation, rugged industrial design, external surfaces with electrostatic paint coating and heavy lockable castors make these ovens a great investment for long-term easy use.

Industry

- Process Industry
- Tank and Vessel Fabrication
- Light Equipment

- 250 kg electrode drying and storing capacity
- 800 °C-rated fiberglass door seals keep heat inside
- Rockwool insulated premium steel construction for durability and long life
- Heats up quickly and cools down slowly, making these energy efficient. Retains heat for up to 8 hours when unplugged
- Ten removable trays (220 x 440 x 70 mm) for convenient loading, unloading and cleaning

Visit esab.com for more information.



Specifications

Capacity	250 kg
Storage Temperature	100 - 400 °C
Drying Temperature (Max)	400 °C
Input Voltage	3ph 380 - 415 V
Output Power	4500 W
Output Current	21 A
Dimensions LxWxH	830 x 720 x 1530 mm
Weight	225 kg

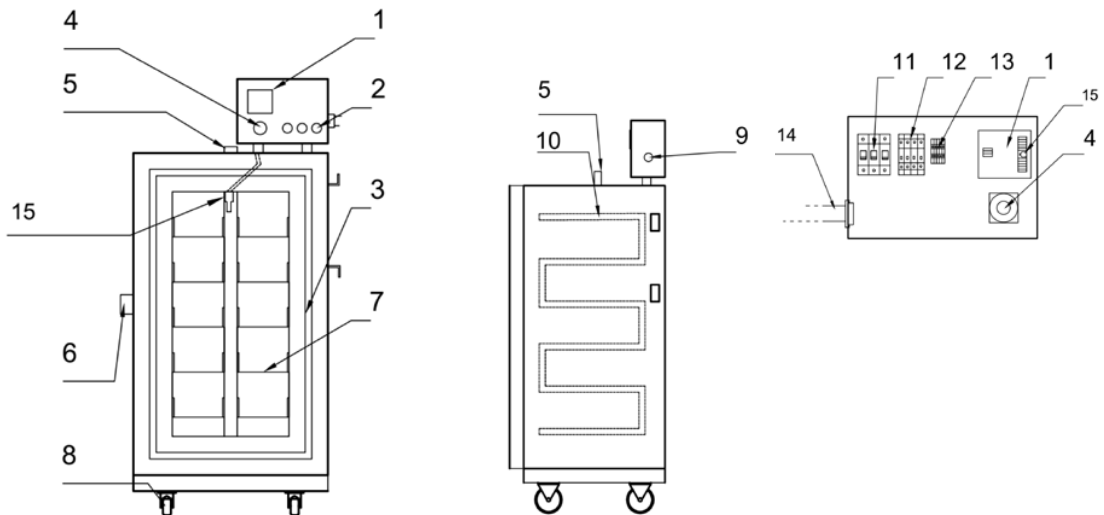
SDE-250

Ordering Information

SDE-250 Electrode Drying Oven, 3ph 400V AC 50/60Hz	0700100044
--	------------

Wear & Spare Parts

1	Digital Thermostat DT-109A	0700100002
2	Signal Lamp 230V	0700100003
2	Signal Lamp 110V	0700100004
3	Fiberglass Wick SDE-250	0700100050
4	Power Switch	0700100018
5	Air Valve	0700100020
6	Door Handle	0700100006
7	Tray	0700100054
8	Castors without Brake Back	0700100008
8	Castors with Brake Front	0700100009
9	Cable Gland - SDE/SDF	0700100031
10	Heating Element 230V - SDE/SDF	0700100011
10	Heating Element 110V - SDE/SDF	0700100012
11	Contactor 230V	0700100017
11	Contactor 110V	0700100023
12	Fuse (automatic) 10A	0700100015
12	Fuse (automatic) 2A	0700100016
13	Terminal	0700100019
14	Power Cord 400V with plug CEE 5x32A	0700100013
14	Power Cord 110V with plug - SDE/SDF	0700100014
15	Thermocouples SDE/SDF	0700100165



ESAB / esab.com

